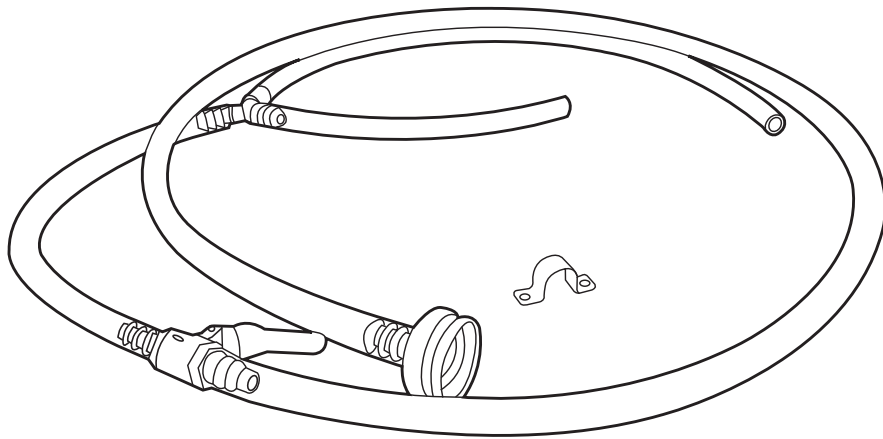


# PEARL®

## WATER HOSE KIT FOR MASONRY SAWS VX141MS ONLY



**PART # V350MSGHKIT**

### WATER PIPING INSTALLATION:

1. Orient the water pipes as shown in Fig. A. Insert the shortest pipe from the "Y" adapter into the adjacent sleeve at the rear of the blade guard. The longest pipe, which has a control valve midway, should be pointed towards the floor. Secure the "Y" adapter to the rear of the blade guard using the provided bracket and screws.

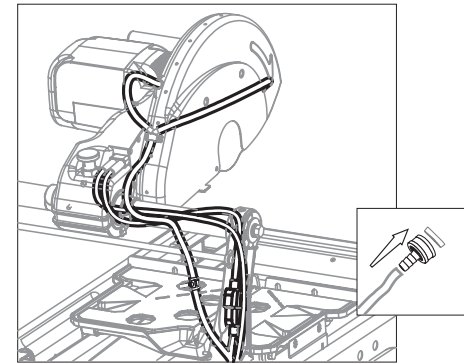


Fig. A

2. Insert the second pipe protruding from the top of the "Y" adapter into the slot located on the side of the blade guard towards the front of the saw. Some force will be required to pinch the mouth of the pipe when inserting it into the slot. (Fig. B)

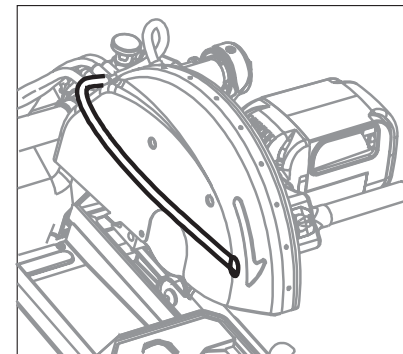


Fig. B