

PEARL




PROFESSIONAL MANUAL TILE CUTTERS
OWNER'S/OPERATOR'S MANUAL

VX28MCPRO

VX36MCPRO

VX48MCPRO



 **WARNING:** This product can potentially expose you to chemicals that are known to the State of California to cause cancer and birth defects or other reproductive harm. For more information, go to: www.P65Warnings.ca.gov

REV. 2

PEARL ABRASIVE CO.

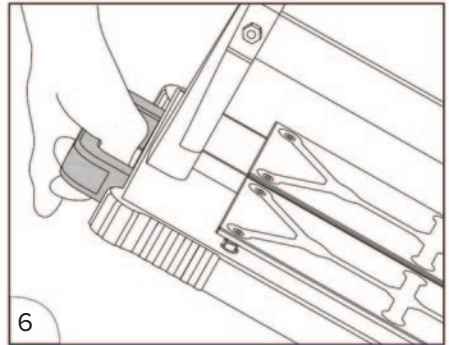
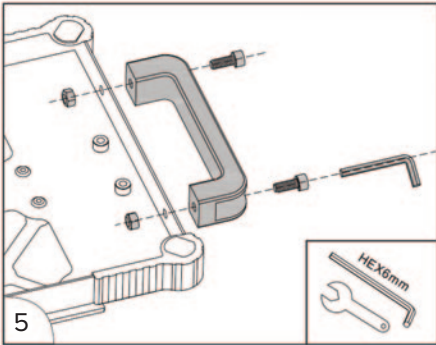
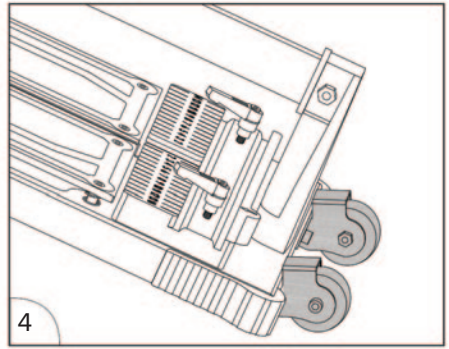
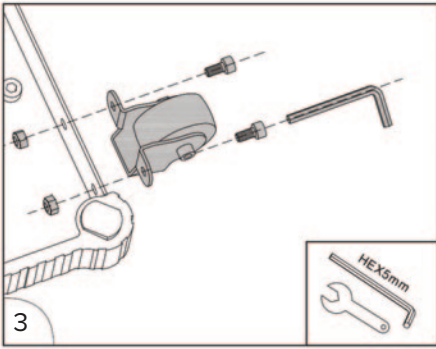
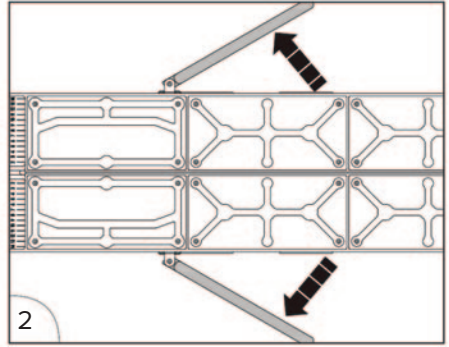
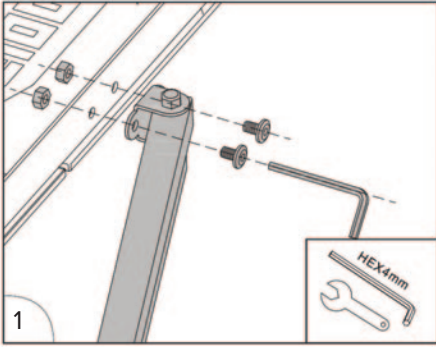
TILE CUTTER



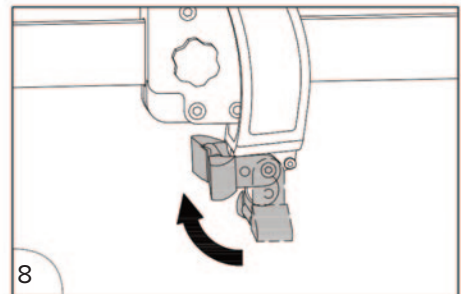
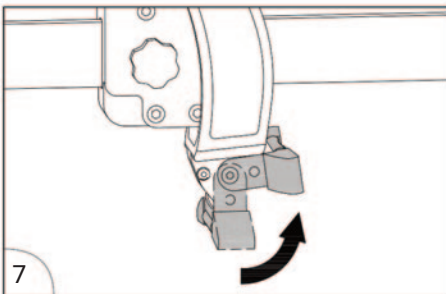
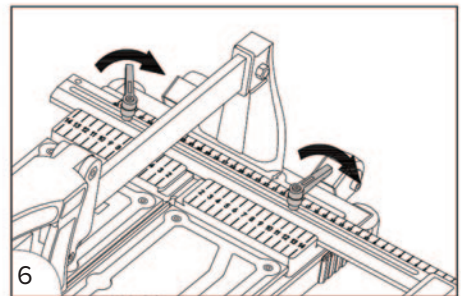
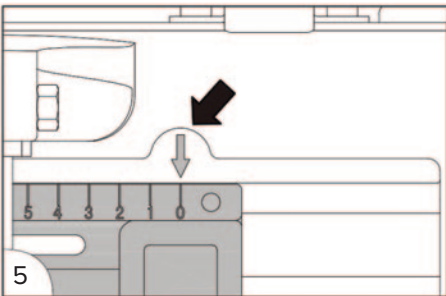
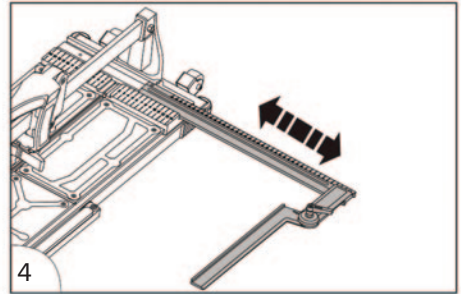
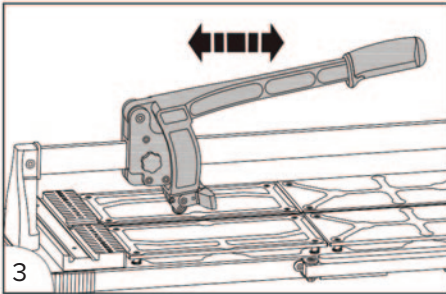
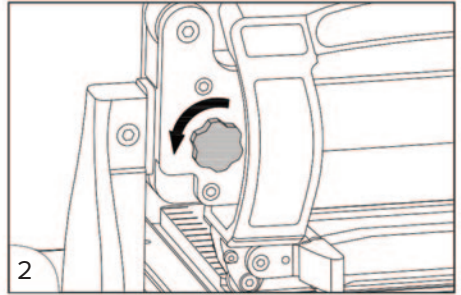
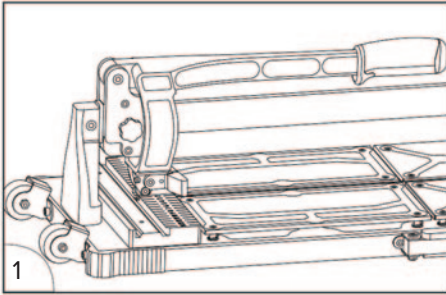
FEATURES:

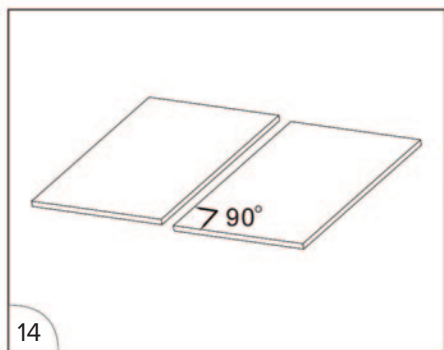
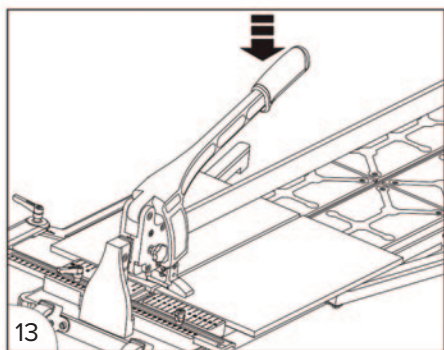
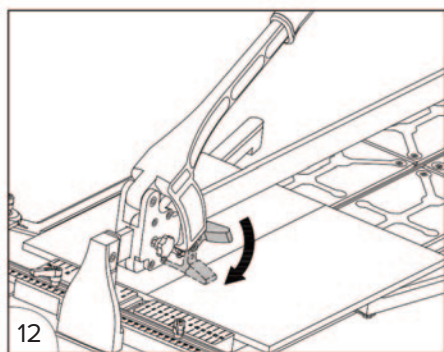
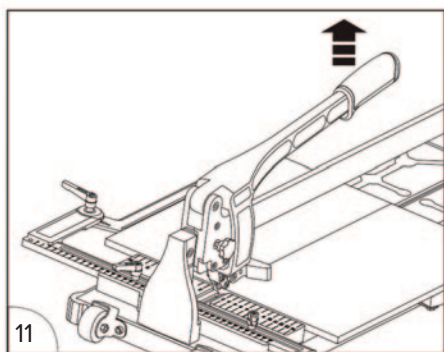
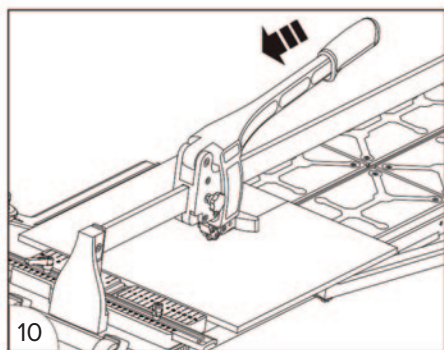
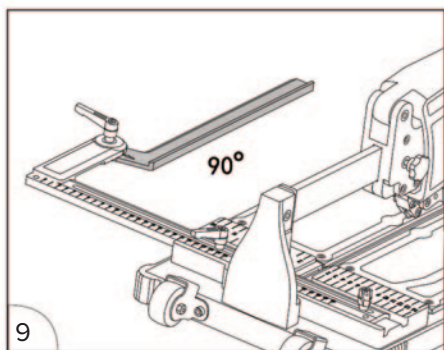
- Available in 28", 36" and 48" sizes
- Professional, accurate, and strong
- Spring-suspension individual plates support tiles while cutting
- High-resistance aluminum alloy and steel construction
- Handle with soft grip for better ergonomics and comfort
- Single rail bar guide does not flex when breaking the tile
- Roller bearing for smooth scoring action
- Steel extension bars for large tiles
- Aluminum die-casting gauge provide 0° and 45° cutting
- Equipped with wheels and carrying handle for easy transport
- Magnetic breaker holder provides optimal viewing during cutting by keeping breaker up until needed

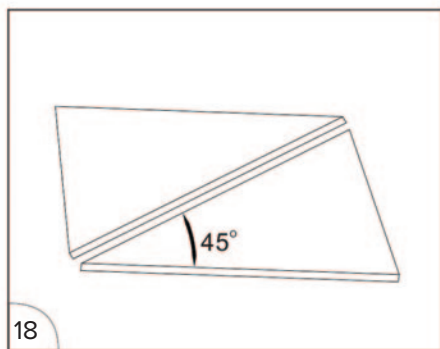
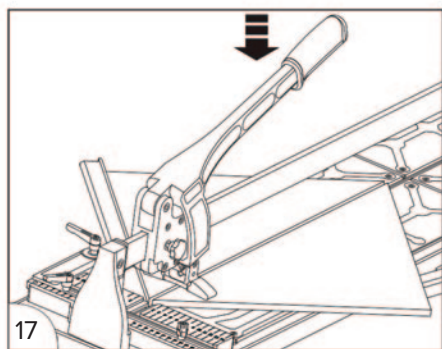
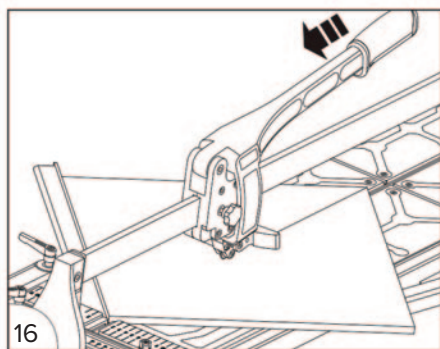
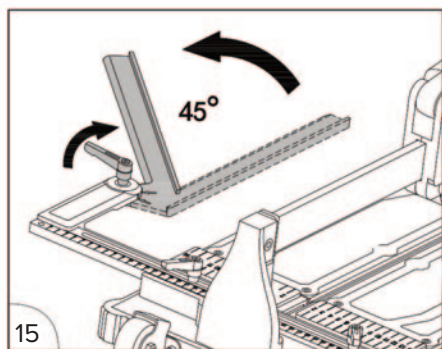
TILE CUTTER ASSEMBLY



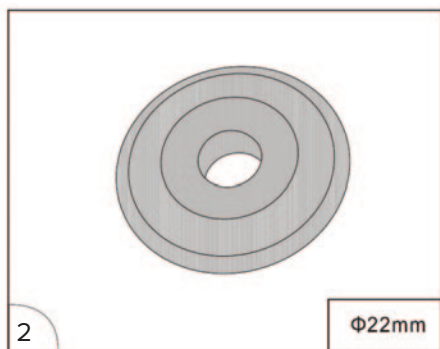
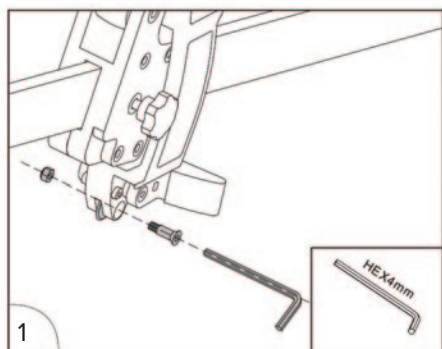
TILE CUTTER OPERATION







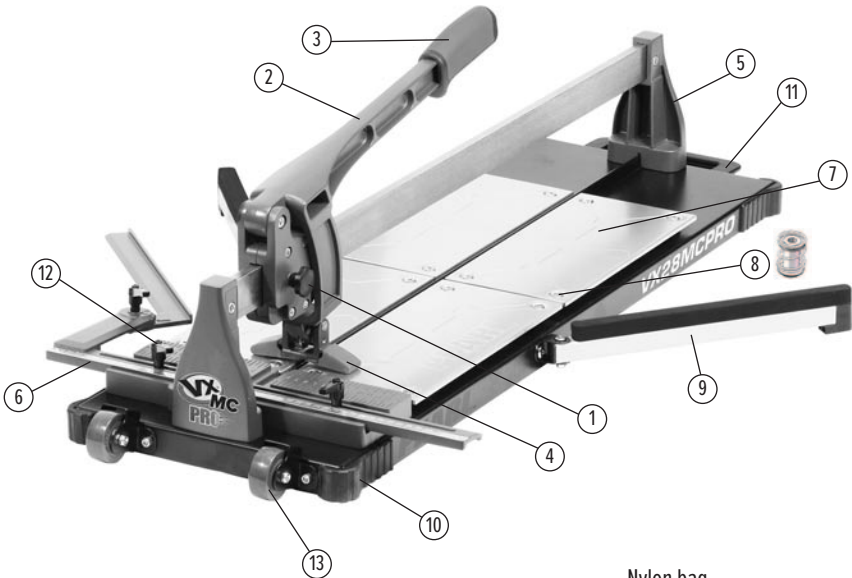
CUTTING WHEEL REPLACEMENT



REPLACEMENT PARTS LIST

All parts sold by unit

No.	SPECS	MODEL	ITEM ID
1	Slider handle lock knob	VXMCSHLK	879051
2	Slider handle complete no grip	VXMCSHCNG	879052
3	Slider handle grip	VXMCSHG	879053
4	Breaker	VXMCBR	879054
5	Side support	VXMCSS	879055
6	Rip guide	VXMCRG	879056
7	Table pad	VXMCTP	879057
8	Table pad spring	VXMCTPS	879058
9	Side extention	VXMCSE	879059
10	Frame rubber bumper	VXMCFRB	879060
11	Carrying handle	VXMCCH	879061
12	Rip guide lock handle	VXMCRGLH	879062
13	Travel wheels	VXMCTW	879063



Tile cutting wheel
VXMCWHEEL (879033)



Nylon bag

28" - VX28MCBAG (879030)

36" - VX36MCBAG (879031)

48" - VX48MCBAG (879032)

PEARL LIMITED WARRANTY

Every PEARL ABRASIVE CO. tool is thoroughly inspected and tested before leaving the factory. It is warranted to be free of defects in materials and workmanship for a period of ONE YEAR from the date of original purchase. Pearl will repair or (at our opinion) replace a product, or part thereof, found by PEARL ABRASIVE CO. to be defective, provided the defective product is returned to PEARL ABRASIVE CO., freight pre-paid, with proof of purchase.

RGH NUMBER IS REQUIRED. Prior to the return of any product or part, a Return Goods Authorization number must be obtained from PEARL ABRASIVE CO. by fax (562) 928-3857 or calling (800) 969-5561. The owner's name, address, phone number, as well as the serial number of the product, proof of purchase, and a brief statement detailing the nature of the claimed defect, are required for authorization.

This Warranty does not apply where:

- repairs have been made or attempted by others
- repairs are required because of normal wear and tear
- the tool has been abused, misused or improperly maintained
- alterations have been made to the tool
- the product is used in a manner or with a blade not recommended by the manufacturer

In no event shall Pearl Abrasive Co. be liable for any indirect, incidental or consequential damages from the sale or use of the equipment. This disclaimer applies both during and after the term of warranty.

Pearl Abrasive Co. disclaims liability for any implied warranties, including implied warranties of "merchantability" and "fitness for a specific purpose", after the one year term of this warranty.

This warranty gives you specific legal rights, and you may also have other rights which vary from state to state. Some states do not allow the exclusion or limitation of incidental or consequential damages, so the above limitation or exclusion may not apply to you. Some states do not allow limitation on how long an implied warranty lasts, so the above limitation may not apply to you.

All parts replaced under warranty will be considered as part of the original product and any warranty on these parts will expire coincidentally with the original product warranty.

This warranty supersedes all previous PEARL ABRASIVE product warranties.

PEARL®

CORPORATE OFFICE: SO. CALIFORNIA • USA
4900 ZAMBRANO ST., COMMERCE, CA 90040-0031
562-927-5561 • FAX 562-928-3857

Toll Free: 800-969-5561

www.pearlabrasive.com

GEORGIA • USA
3950 STEVE REYNOLDS BLVD.,
NORCROSS, GEORGIA 30093

ONTARIO • CANADA
375-2 PIDO ROAD
PETERBOROUGH, ONTARIO K9J-6X7