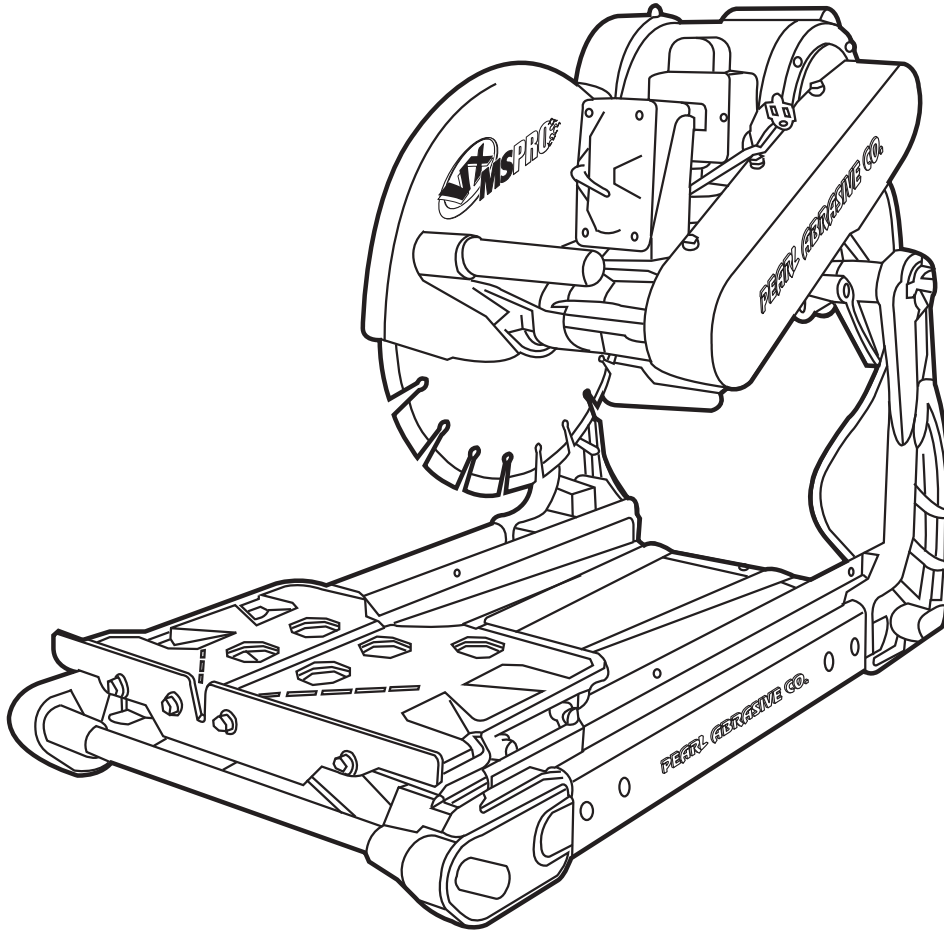


PEARL®



**MODEL VX141MSPRO™
MASONRY/BRICK SAW
OWNER'S/OPERATOR'S MANUAL**



SERIAL NUMBER -

You should record the Serial Number of your Tile Saw on this Owner's/Operator's Manual and on the Warranty Card. **The Warranty Card must be sent back with all the required pertinent information for the warranty to take effect.**

Caution! Read Safety and General Instructions carefully before using saw for the first time.

REV. 2

**PEARL ABRASIVE CO.™
MSPRO™
MASONRY SAW**

TABLE OF CONTENTS

	PAGE
I. GENERAL SAFETY RULES FOR ALL POWER TOOLS.....	3
II. SYMBOLS	4
III. FEATURES.....	5
IV. SPECIFICATIONS.....	5
V. UNPACKING	6
VI. INSTALLATION AND OPERATION	6
VII. PROPER BLADE USE	8
VIII. CARE AND MAINTENANCE	8
IX. CHANGING MOTOR VOLTAGE.....	9
X. ELECTRICAL MOTOR SPECIFICATIONS.....	9
XI. REPLACEMENT PARTS LIST	10
XII. TROUBLESHOOTING	15
XIII. ACCESSORIES AND PARTS.....	18
XIV. THE RIGHT BLADES DOES THE RIGHT JOB.....	19
XV. HOW TO ORDER PARTS	19

i. GENERAL SAFETY RULES FOR ALL POWER TOOLS



WARNING! *Read all instructions. As with all machinery there are certain hazards involved with operation and use of the machine. The following basic safety precautions should be followed at all times to reduce the risk of fire, electric shock and serious personal injury to you or others. Keep these important operating instructions with this product.*



1. Know your power tool - read owner's/operator's manual carefully. Learn its applications and limitations as well as the specific potential hazards unique to this tool.



2. Keep guards in place - and in working order.

3. Ground all tools - if tools are equipped with three prong plug, it should be plugged into a three-hole electrical receptacle. If an adapter is used to accommodate a two-prong receptacle, the adapter lug must be attached to a known ground. Never remove the third prong.



4. Remove wrenches - Form a habit of checking to see that adjusting wrenches are removed from tool before turning it "on".



5. Keep work area clean. Cluttered areas and benches invite accidents.

6. Do not use in dangerous environment. Do not use power tools in damp or wet locations, or expose them to rain. Keep work area well lighted. Do not use tool in the presence of flammable liquids or gasses.



7. Keep children and visitors away. All children and visitors should be kept at a safe distance from work area.

8. Make workshop childproof with padlocks, master switches or by removing starter keys.

9. Do not force tool. It will do the job better and be safer at the rate for which it was designed.

10. Use right tool. Do not force tool or attachment to do a job for which it was not designed.



11. Wear proper apparel. Do not wear loose clothing, gloves, neckties, rings, bracelets or other jewelry that may get caught in moving parts. Non-slip footwear is recommended. Wear protective hair covering to contain long hair.



12. **Always use safety glasses.** Wear safety glasses (must comply with ANSI Z87.1) at all times. Everyday eyeglasses only have impact resistant lenses; they are not safety glasses. Use face or dust mask if cutting operation is dusty, and ear protectors (plugs or muffs) during extended periods of operation.



13. Do not overreach. Keep proper footing and balance at all times.



14. Maintain tools in top condition. Keep tools sharp and clean for best and safest performance. Follow instructions for lubricating and changing accessories. Inspect tool cords periodically and if damaged, have repaired by authorized service facility.



15. Disconnect tools. When not in use, before servicing, and when changing accessories, such as blades, bits, cutters.



16. Avoid accidental starting. Make sure switch is in "off" position before plugging in power cord.

17. Use recommended accessories only. Consult the owner's manual for recommended accessories. The use of improper accessories may cause risk of injury to persons.



18. Never stand on tool. Serious **injury** could occur if the tool is tipped or if the cutting tool is accidentally contacted.



19. Check Damaged Parts. Before further use of the tool, a guard or other part that is damaged should be carefully checked to ensure that it will operate properly and perform its intended function. Check for alignment of moving parts, binding of moving parts, breakage of parts, mounting, and any other conditions that may affect its operation. A guard or part that is damaged should be properly repaired or replaced.

20. Never leave tool running unattended. Turn power "off". Do not leave tool until it comes to a complete stop.

21. Extension cords. Make sure your extension cord is in good condition. When using an extension cord, be sure to use one heavy enough to carry the current your product will draw. An undersized cord will cause a drop in line voltage resulting in loss of power and overheating. Extension cord tables (*refer to page 21*) show the correct size to use depending on cord length and nameplate ampere rating. If in doubt, use the next heavier gage. The smaller the gage numbers the heavier the cord.

22. Do not abuse cord. Never carry tool by cord or pull it to disconnect from receptacle, Keep cord from heat, oil, and sharp edges.

23. Guard against electric shock. Prevent body contact with grounded surfaces. For example, pipes, radiators, ranges and refrigerator enclosures.

24. Outdoor use extension cords. When tool is used outdoors, use only extension cords intended for use outdoors and so marked.

25. Stay alert. Watch what you are doing. Use common sense. Do not operate tool when you are tired.

26. Drugs, alcohol, medication. Do not operate tool while under the influence of drugs, alcohol or any medication.

27. Store idle tool. When not in use, tool should be stored in a dry and locked place, out of reach of children.



! WARNING! CALIFORNIA PROPOSITION 65: Sawing and drilling generates dust. Excessive airborne particles may cause irritation to eyes, skin and respiratory tract. To avoid breathing impairment always employ dust controls and protection suitable to the material being saw or drilled in accordance with OSHA (29 CFR Part 1910.1). Diamond blades improperly used are dangerous. Comply with ANSI Safety Code B7.1 and OSHA covering speed, safety guards, flanges, mounting procedures, general operating rules, handling, storage and general machine condition.

ii. SYMBOLS



KEEP GUARD IN PLACE



REPAIRS TO BE DONE



WEAR HEARING PROTECTION



DIAMOND BLADE



MACHINE HAZARD



WEAR EYE PROTECTION



BLADE CUTTING DEPTH



FLAMMABLE



WEAR BREATHING PROTECTION



ELECTRIC SWITCH OFF



READ INSTRUCTIONS CAREFULLY



WEAR HARD HAT



ELECTRIC SWITCH ON



WARNING



WEAR PROTECTIVE CLOTHING



ELECTRICAL HAZARD



FRAGILE



WEAR SAFETY SHOES



REMOVE TOOLS



KEEP DRY



WELL VENTILATED



PAY EXTREME ATTENTION

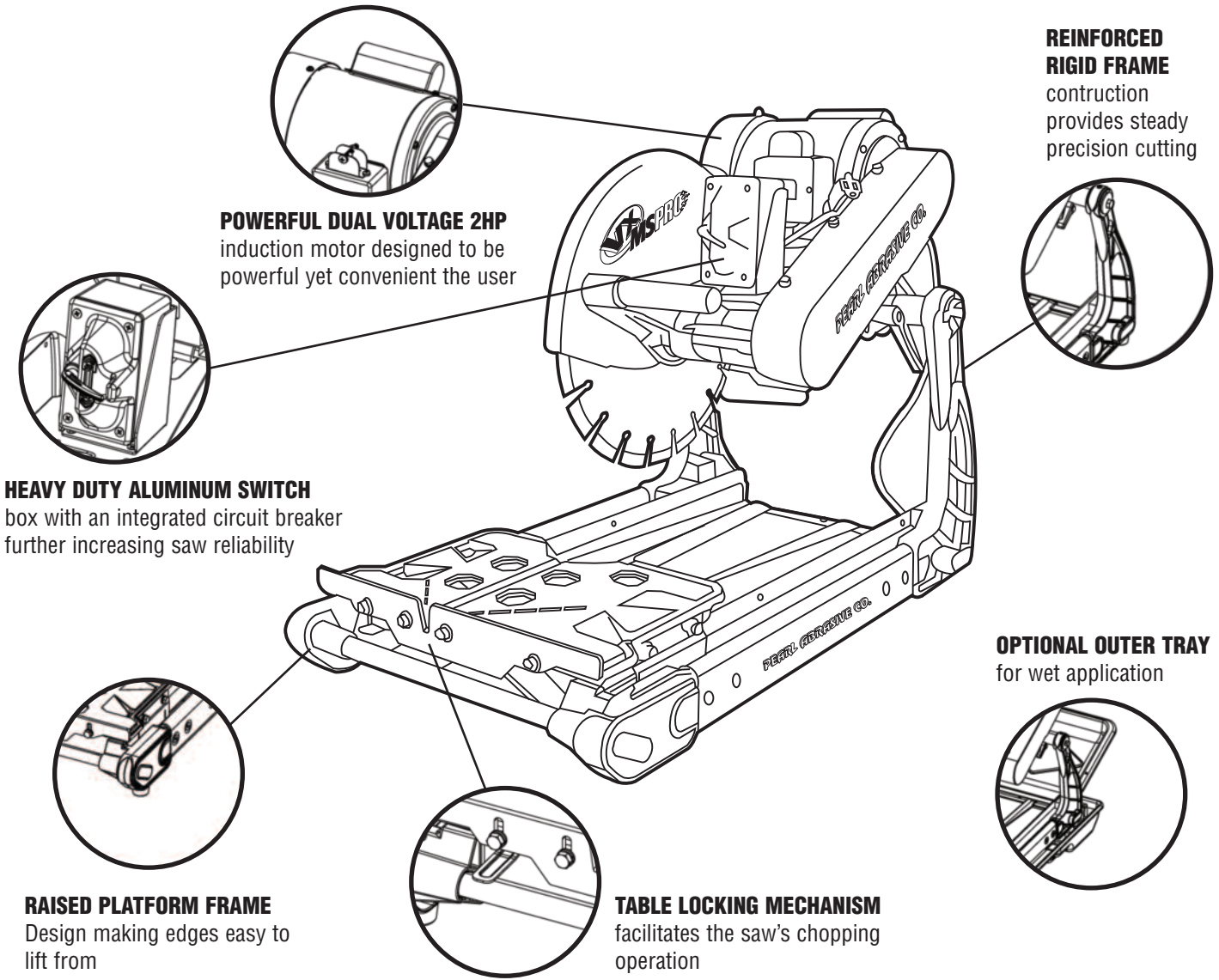


DO NOT STEP ON



NO NON-WORKING PERSONNEL

iii. FEATURES



iv. SPECIFICATIONS

VX141MSPRO MASONRY/BRICK SAW					
MOTOR	MAX. BLADE CAPACITY	CUTTING LENGTH	CUTTING DEPTH	WEIGHT	SIZE (LxWxH)
2 HP Induction 115 v, 60 Hz, 2,600 rpm	14" blade with 1" (25.4mm) arbor	16" Max material size 8 x 8 x16"	5"	110 lbs.	31.5 x 18.5 x 21"

v. UNPACKING

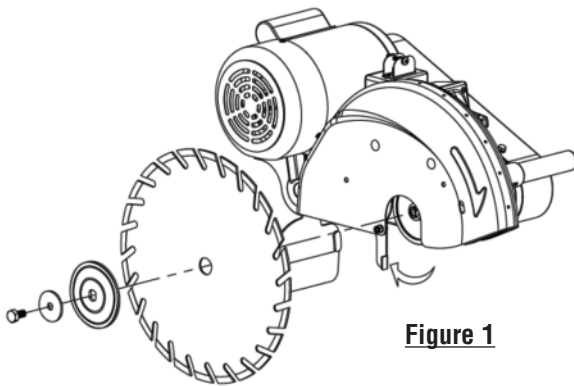
Open the container. Carefully lift the saw out evenly by the frame. Be certain you have the following items before you discard the container:

- Saw
- Size 19 Open Wrench
- 14" saw blade
- 45°/90° rip guide
- Universal wrench
- Owner's manual

vi. INSTALLATION AND OPERATION

BLADE INSTALLATION

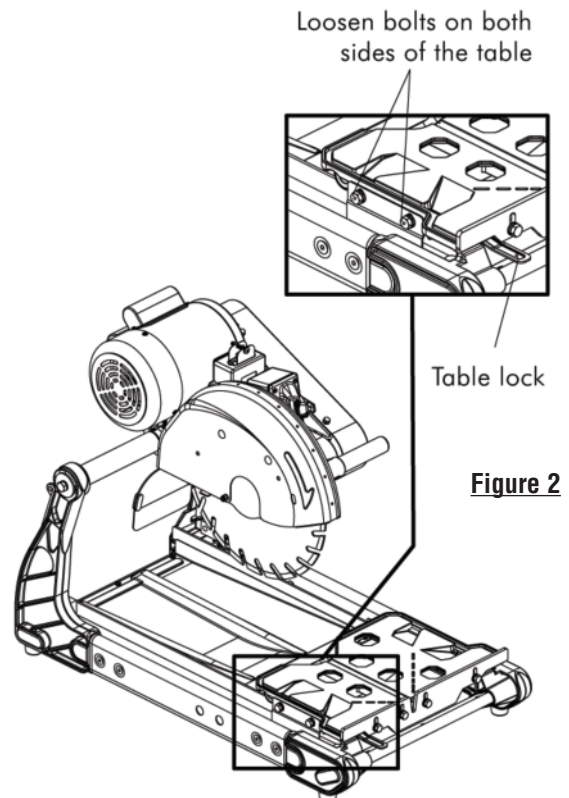
1. Rotate the blade bolt access door down. See *Figure 1*.
2. Remove the blade shaft bolt, washer and outer flange.
3. Place the blade onto the blade shaft. The bore of the blade should sit fully on a shoulder located on the inner flange. Make sure that the directional arrow on the blade is aligned with the rotation of the shaft.
4. Reinstall the outer flange, washer and blade shaft bolt in this order. Tighten the bolt using the provided wrenches



CUTTING TABLE ASSEMBLY

The cutting table comes preinstalled on the machine. To remove the cutting table perform the following steps:

1. Make sure the table lock is not engaged. See *Figure 2*.
2. Loosen the bolts as shown on right so the brackets they secure can slide down.
3. With both brackets down, lift the table from the rails starting from the left side.
4. Perform the steps in reverse to remount the table.



THE CUTTING TABLE

The heavy-duty cutting table provides the durability to handle large materials. *Figure 3.*

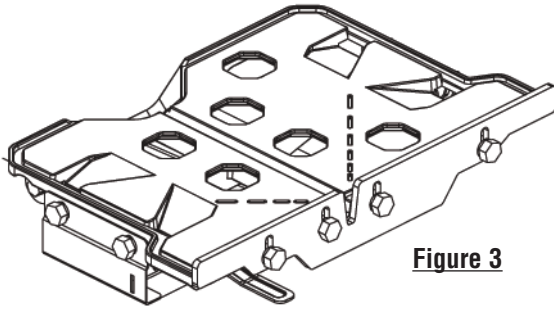


Figure 3

WARNING: Only use the 14" diameter blade for this saw. Setting smaller size of diamond blade may grab the material being cut, causing damage and possibly injury.

STEPS TO USE THE 45° / 90° RIP GUIDE

1. Set the rip guide by positioning it on the desired dimension and tighten the threaded knob. Make sure that the rip guide is firmly tightened to avoid slippage. The rip guide can be used 90° rip cuts and 45° angle cuts from both the left and right side. (Note: The straight and 45° angled slits on the bottom of the rip guide.)
2. After the rip guide is positioned for the desired cut, place material flat against the rip guide and the measurement rail. For the 45° rip cuts, place the corner of material in the open slot of the measurement rail.
3. Simply line up the material being cut with the appropriate pre-marked lines on the cutting table.
4. Now you are ready to make your cut.

CUTTING DEPTH

The recommended cutting depth is 1/4" below the cutting table surface. When setting the cutting depth, do a practice pass with the table to make sure the blade does not cut into it.

Blade Diameter	Cutting Depth
14"	5 inch

WARNING: It is recommended to cut all the way through the material being cut. Failure to do so can result in the diamond blade grabbing the material causing damage and possibly injury.

The VX141MSPRO Masonry Saw is designed to cut at any cutting. It can perform plunge cutting (table is fixed and the cutting head is in motion), jam cutting (cutting head is fixed and the table is in motion) or step cutting (a combination of the both).

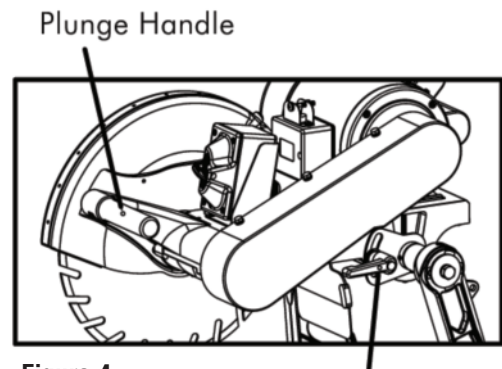


Figure 4

Depth Control Knob

1. Before adjusting the cutting depth always disconnect the electrical power supply.
2. To adjust the VX141MSPRO's cutting depth, rotate the depth control knob counter-clockwise while holding the plunge handle. See *Figure 4*. Only loosen the knob enough so the cutting head freely moves.
3. Reposition the cutting head as necessary and then lock it in place by rotating the knob in the reverse direction. Tighten the knob firmly.

CHOP / PLUNGE SAW OPERATION

To operate the VX141MSPRO as a chop or plunge saw: pull up on the Angle Lock Pin, rotate 90 degrees, and release. Now the cutting head can be rotated by pulling up or pushing down on the cutting head handle. When not in use, always lock the head into one of the three cutting height positions.

HEAD POSITION	APPLICATION
Fixed head	Jam cutting brick/block
Fixed head upper	Diamond blade replacement
Moving head	Chop or plunge cutting
Moving head with moving table	Step cutting

vii. PROPER BLADE USE

DO'S

- Inspect blades daily for cracks or uneven wear.
- Always use appropriate blade for material being cut.
- Inspect arbor shaft for uneven wear before mounting blade.
- Always use blades with the correct arbor shaft size.
- Ensure that blade is mounted in the correct direction.
- Use proper safety equipment when operating the saw.
- Secure the blade to the arbor with a wrench.
- Periodically check the blade for cracks or bond fatigue.
- In addition to the following, always follow wet recommendations.
- Use appropriate blade for material being cut.
- Inspect segment blades for segment cracking or loss.
- Do not use damaged blades.
- Use proper safety equipment when operating the saw.

DON'TS

- Do not operate the saw without safety guards in position.
- Do not operate the saw with blades larger than 14".
- Do not cut dry with blades marked "Use Wet".
- Do not exceed manufacturer's recommended maximum RPM.
- Do not force blade into material. Let blade cut at its own speed.
- In addition to the following, always follow wet recommendations.
- Do not make long cuts with dry blades. Allow them to air cool.
- Do not use the edge or side of blade to cut or grind.
- Do not attempt to cut a radius or curve.
- Do not cut too deep or too fast into the material.
- Do not cut any material not recommended by blade manufacturer.

viii. CARE AND MAINTENANCE



WARNING: For your safety before performing any maintenance on the saw turn off the power switch and unplug the power cord.

CLEANING

AFTER EVERY USE OF THE MACHINE:

- Remove dirty water from container.
- Remove dirt and mud from the bottom of the container

AFTER WET CLEANING AND BEFORE USING THE MACHINE AGAIN:

- Connect the machine to an electric power outlet equipped with a GFCI safety power breaker. If the safety power breaker cuts off the electrical power supply, do not try to operate the machine but have it checked by an authorized dealer first.

BEFORE AND AFTER A PROLONGED TIME:

- After not using the machine for a prolonged period of time, clean and lubricate all movable parts.
- Check that the saw is sitting properly on the folding stand.
- Check that all the screw joints and nuts are fixed.
- Check that the roller table is in its guides and that it easily moves to and from.
- With the saw blade removed, switch on the motor for an instant and switch it off again. If the motor does not run, have the machine inspected by a qualified electrician.

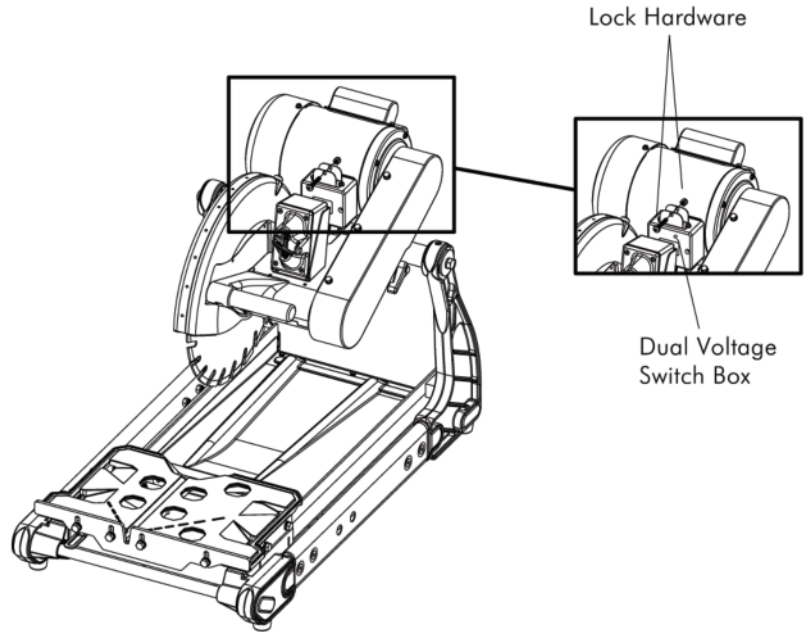
ix. CHANGING MOTOR VOLTAGE

⚠ WARNING: Turning on the saw, while the motor is set at 115V, to a 230V electrical power supply will cause irreparable damage to the motor.

To change the voltage of the motor, perform the following steps:

1. Disconnect the electrical supply.
2. Remove the lock hardware as shown on right.
3. Toggle the voltage select on the dual voltage switch box to the desired voltage.
4. Re-lock the voltage select using the lock hardware.

The VX141MSPRO motor has the ability to accept power from a 115V and 230V power source. By default the motor is set to accept power from a traditional 115V power source. For best motor performance run the motor using 230V.



x. ELECTRICAL MOTOR SPECIFICATIONS

Horse Power	2 HP
Volts	115V/230V
Amps	7.5A/15A
Motor RPM	3,250 rpm
Cycle	60 Hz

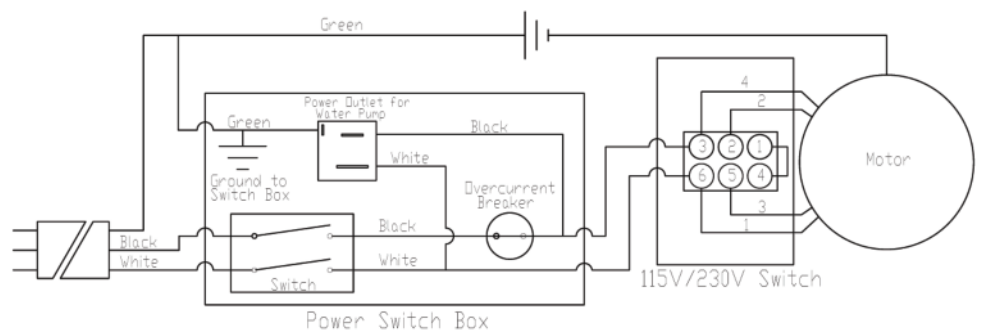
Recommendations:

- It is recommended that a **20 amp circuit** be used while operating this saw. This will prevent possible power interruption or loss.
- Always plug saw as close as possible to the power source while operating. This will allow you to receive optimum electricity.

⚠ WARNING: To avoid permanent motor damage you must use the correct extension cord. Never use more than one extension cord at a time. Follow the chart for proper size.

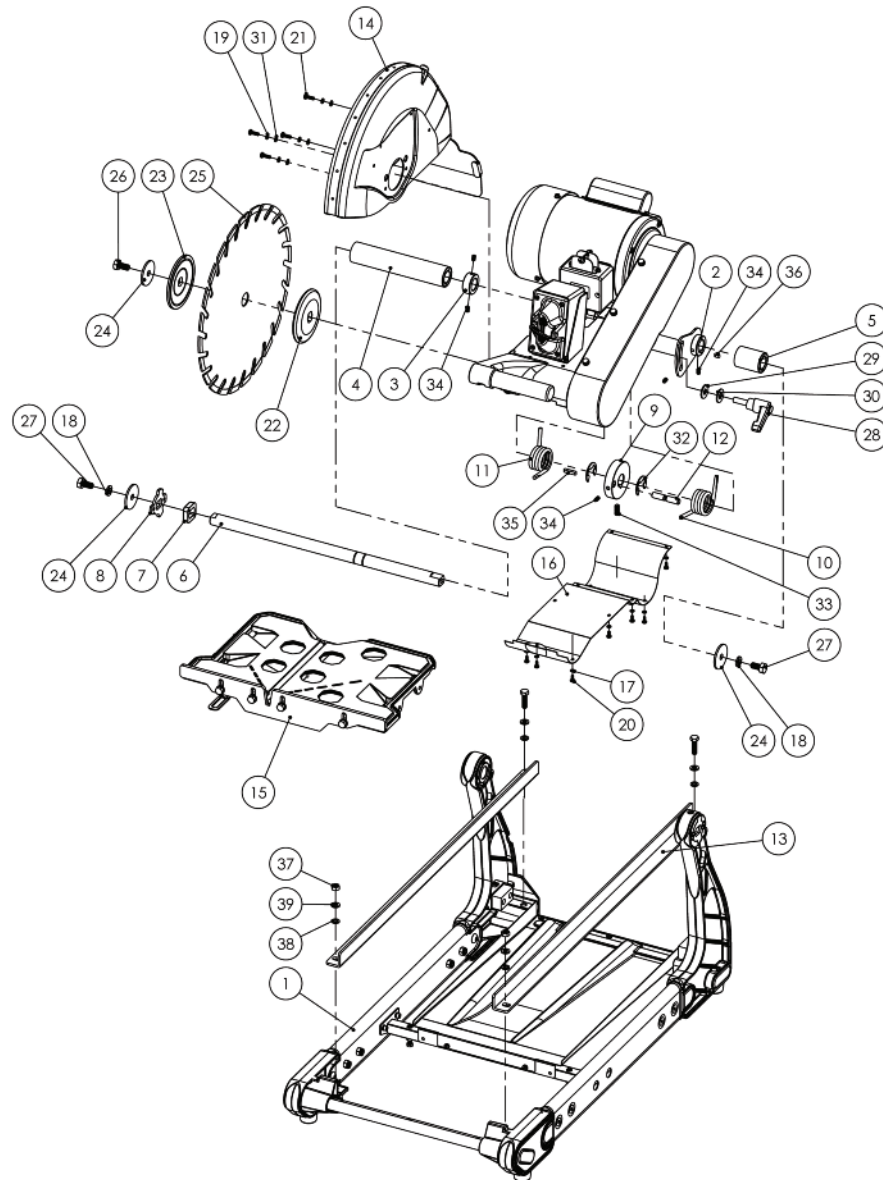
WIRE GAUGE	115V	230V
12 AWG	25'	100'
10 AWG	50'	150'
8 AWG	75'	250'
6 AWG	NA	NA

Electrical Wiring Diagram



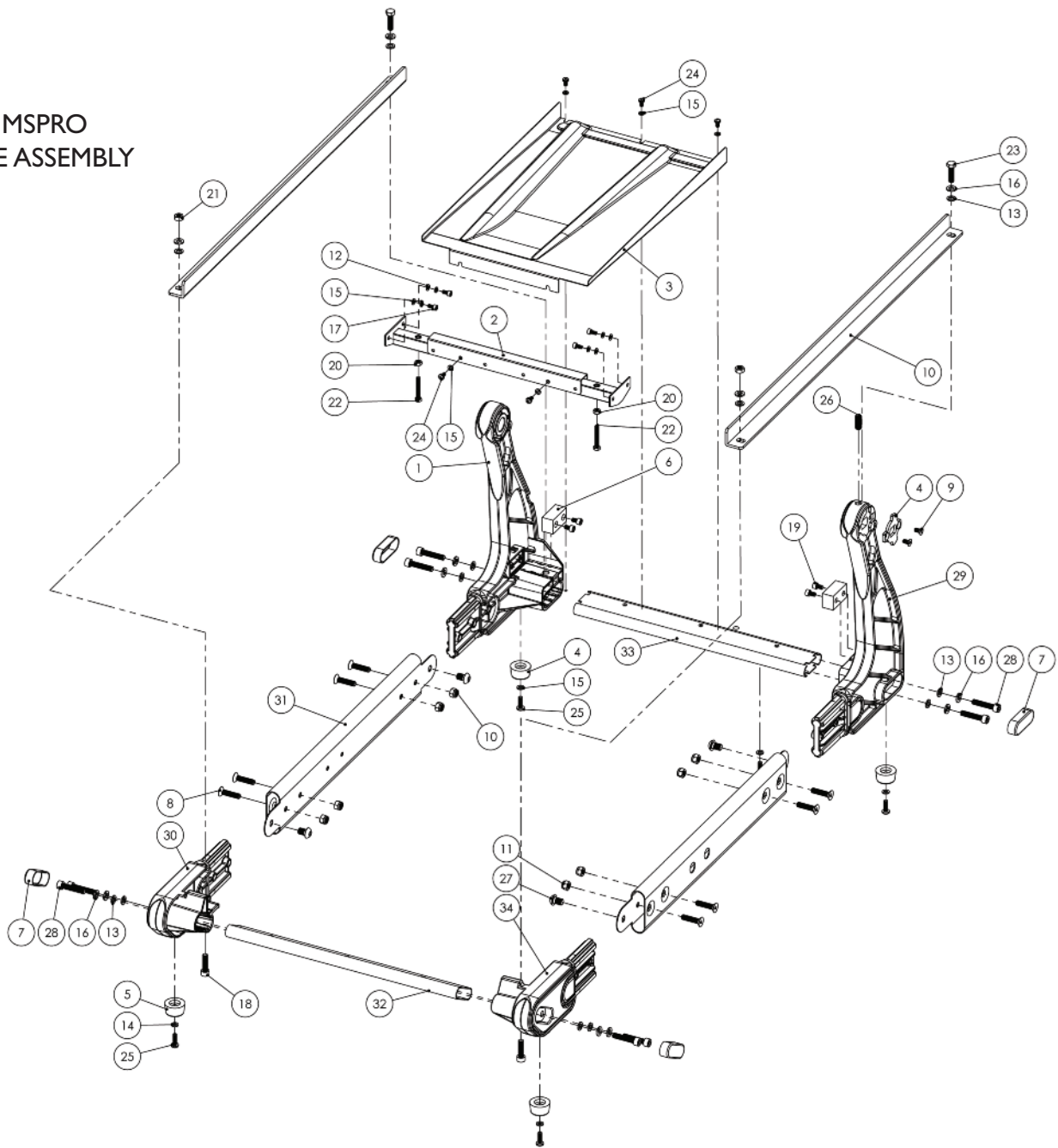
xi. REPLACEMENT PARTS LIST

VX141MSPRO MAIN ASSEMBLY



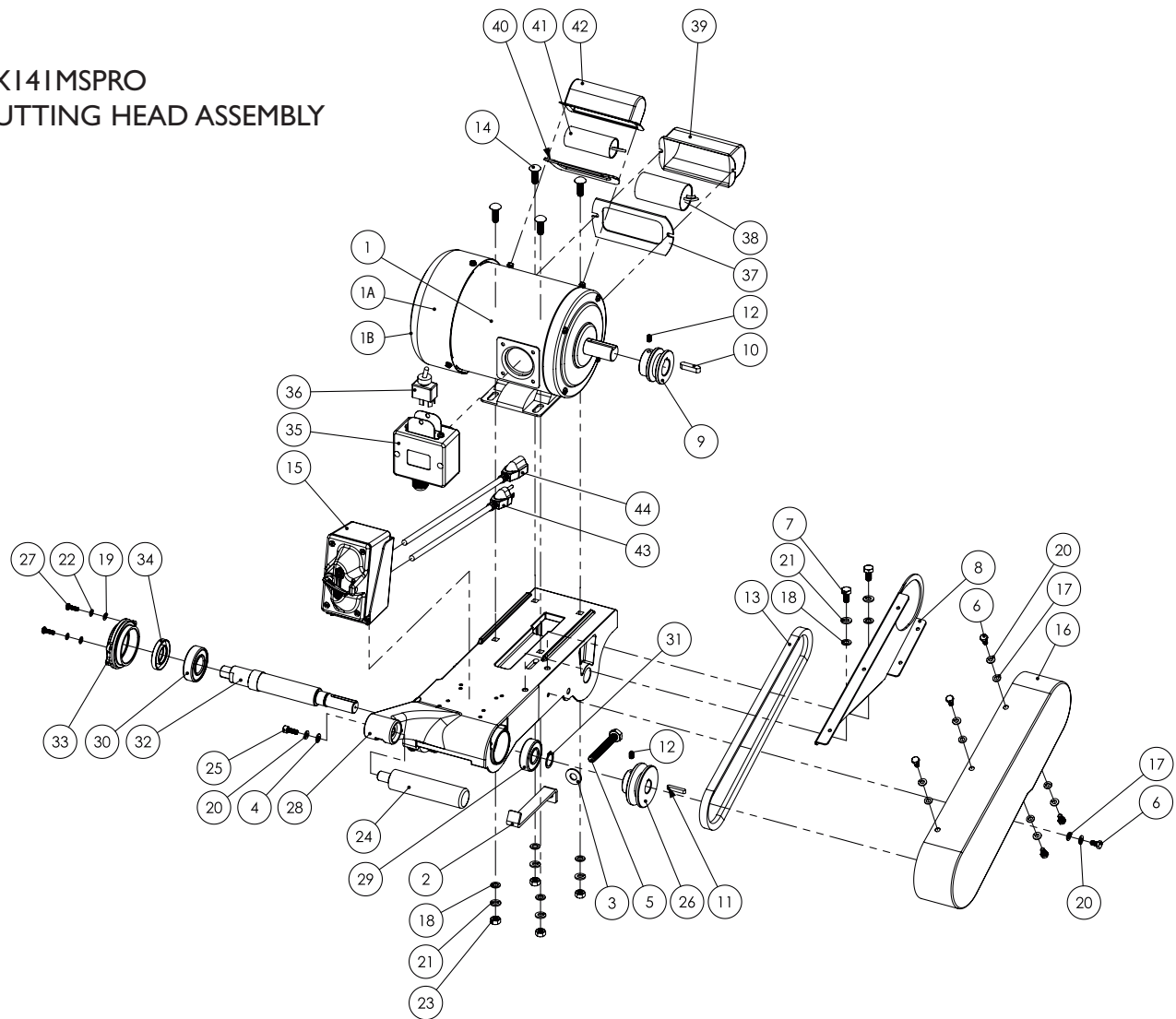
<i>PART NAME</i>	<i>PART NUMBER</i>	<i>PART NAME</i>	<i>PART NUMBER</i>
1 Frame assembly (no rails)	PA150328	21 M5 X 0.8 X 16L Cross screw (4)	V3925058
2 Depth guide weldment	PA141094	22 Dia 17mm arbor inner flange	V390029
3 Collar Set Cutting Head	V390046	23 Dia 17mm arbor outer flange	V390006
4 Long shaft sleeve (194L)	PA150296	24 M10 Wide washer (3)	PA0306PR
5 Short shaft sleeve (53.5L)	PA150297	25 14" (356mm) Multi-purpose seg. blade	PV1412XL
6 Cutting head shaft	PA150298	26 M10 x 1.25 x 20L Hex bolt - Left	V390005
7 Shaft anti-roll block	V390060	27 M10 X 1.5 X 20L Hex bolt (2)	V390001
8 Cross bar position bracket	PA150299	28 3/8-16 X 30L UNC Adjustable knob	PA414091
9 Spring recoiling block	PA141096	29 3/8 Waved lock washer	PA0310
10 Right torsional spring	PA141099	30 M10 Wide washer	PA0338
11 Left torsional spring	PA141095	31 M5 Narrow washer (4)	V3925054
12 Pin	PA150303	32 M19 External E-clip (2)	PA25018
13 Rail (2)	V390013	33 M8 x 1.25 x 20L Flat point set screw	PA25118
14 Blade guard assembly	PA150305	34 M6 x 1.0 x 10L Set screw (5)	PA0316
15 Complete Cutting Table without Brackets	V390023	35 5 x 5 x 25L Square key	PA25019
16 Underside shield	PA150305	36 5 X 5 X 10 Square Key	PA141093
17 M4 Spring lock washer (11)	PA00039	37 M8 X 1.25 Nut (4)	PA00015
18 M10 Spring lock washer (2)	PA0307	38 M8 Narrow washer (12)	PA00016
19 M5 Spring lock washer (4)	V3925053	39 M8 Spring lock washer (12)	PA00020
20 M4 x 0.7 x 10L Cross screw (11)	V390353		

VXI41MSPRO
FRAME ASSEMBLY



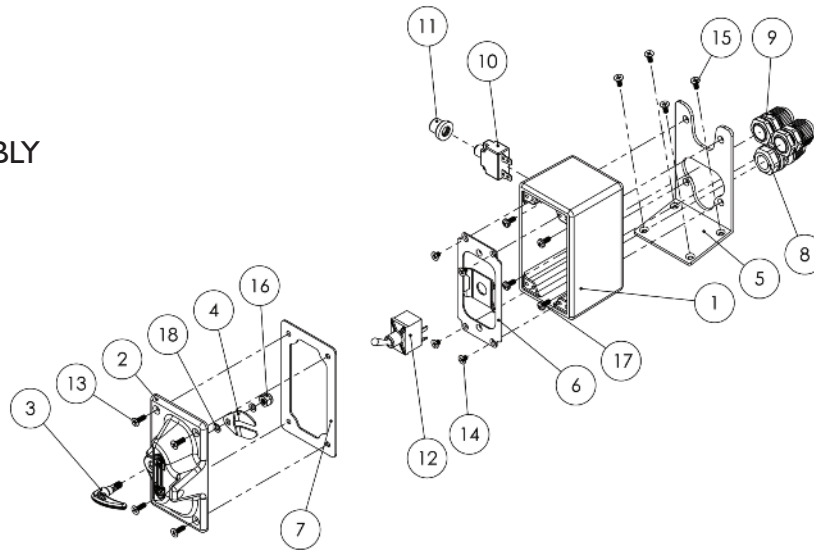
PART NAME	PART NUMBER	PART NAME	PART NUMBER
1 Left Arm	V390007	18 M8 X 1.25 X 30L Socket hex bolt (2)	PA2704081
2 Metal pan frame	V390017	19 M6 x 1.0 x 10L Socket head hex screw (4)	PA150333
3 Dust Collection Pan	V390014	20 M6 x 1.0 Nut (2)	PA0610001
4 Cross Bar Position Bracket	V390048	21 M8 X 1.25 Nut (4)	PA00015
5 Rubber Feet (4)	V370104	22 M6 X 1.0 X 40L Hex bolt (2)	PA150016
6 Rubber stop (2)	12142	23 M8 x 1.25 x 30L Hex bolt (2)	PA081253007
7 Rubber Cap (4)	V390008	24 M5 X 0.8 X 10L Cross screw (5)	PA25100
8 M8 x 1.25 x 35L Countersunk socket head hex screw (8)	PA150214	25 M6 x 1.0 x 20L Cross screw (4)	PA110026
9 M6 x 1.0 x 12L Countersunk socket head hex screw (2)	PA25027	26 M10 x 1.5 x 20L Flat point set screw	PA25102
10 Rail (2)	V390013	27 M10 x 1.5 x 16L Socket button head hex screw (4)	PA150338
11 M8 X 1.25 Nylon nut (8)	PA00062	28 M8 x 1.25 x 40L Socket head hex bolt (8)	PA00012
12 M5 Narrow washer (4)	V3925054	29 Right Arm	V390020
13 M8 Narrow washer (12)	PA00016	30 Left Front Joint	V390018
14 M6 Narrow washer (4)	PA00082	31 Side Frame	V390010
15 M5 Spring lock washer (9)	V3925053	32 Cross Tube Front	V390015
16 M8 Spring lock washer (12)	PA00020	33 Cross Tube Rear	V390019
17 M5 x 0.8 x 10L Socket head hex screw (4)	PA150331	34 Right Front Joint	V390021

**VX141MSPRO
CUTTING HEAD ASSEMBLY**



PART NAME	PART NUMBER	PART NAME	PART NUMBER
1 2 HP 115V/230V Dual voltage motor	VX141122	22 M5 Spring lock washer (2)	V3925053
1A Motor Fan Cover	PA141079	23 5/16" - 18 UNC Nut (4)	PA01191
1B Motor Fan	PA150231	24 30D X 120 Handle	PA150313
2 Motor Adjustment Clip	S1000-10	25 M6 x 1.0 x 16L Socket head hex screw	PA25063
3 M10 Wide washer	PA338	26 d39.5 D63.5 V-belt pulley	PA141104
4 M6 Wide Washer	PA0600033	27 M5 X 0.8 X 16L Cross screw (2)	V3925058
5 M10 x 1.5 x 75L Hex bolt	PA03371	28 Mounting head	PA150314
6 M6 x 1.0 x 10L Hex bolt (6)	V390322	29 D47 d20 6204LBU Radial bearing	PSV10029
7 M8 x 1.25 x 16L Hex bolt (2)	PA001161	30 D52 d25 Radial bearing 6205 ZZ	V390032
8 Belt guard bracket	PA141105	31 M20 External C-clip	CX38048
9 Ø50.8 OD Ø24 ID V-belt pulley	PA141072	32 Blade shaft	V39150317
10 8X7X30 Square Key	PA141071	33 Gear housing cover	V390030
11 5 x 5 x 30L Square key	PSV10011	34 D46 d25 Oil seal	V390031
12 M6 x 1.0 x 10L Set screw (2)	PA0316	35 Voltage Switch Box with bracket (no switch)	PA141146
13 RPF3300A V-belt	PA141101	36 Toggle Switch - Change Volts	PA141121
14 5/16" - 18 UNC x 20L Square neck bolt (4)	PA03131	37 Running Capacitor Gasket	PA141078
15 20Amp Power switch assembly	PA100002	38 Running Capacitor	PA141077
16 Belt guard weldment	PA150312	39 Running Capacitor Cover (black)	PA141076
17 M6 Narrow washer (6)	PA00082	40 Starting Capacitor Gasket	PA141073
18 M8 Narrow washer (6)	PA00016	41 Starting Capacitor	PSV10013
19 M5 Narrow washer (2)	V3925054	42 Starting Capacitor Cover (black)	PA141075
20 M6 Spring lock washer (7)	V3911090	43 Power Cable	V141001
21 M8 Spring lock washer (6)	PA00020	44 Water Pump Cable	PA141067

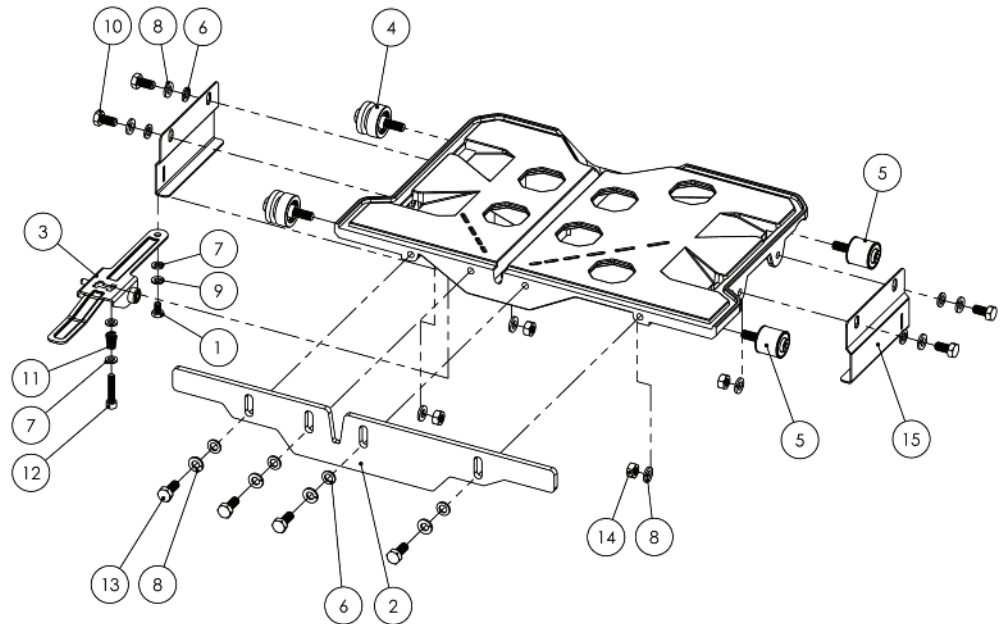
VX141MSPRO
SWITCH ASSEMBLY



PART NAME	PART NUMBER
1 Switch box (no cover or electrical components)	PSV00002R
2 Aluminum cover	PA100006
3 Aluminum rotary switch (external)	PA100019
4 Metal relay fork (internal)	PA141117
5 Switch box cradle	PSV10026R
6 Switch Mounting plate	PA100025
7 Rubber Gasket	PA100024
8 M20x1.5 (AWG14) Power cable gland	V370045
9 FGB17 Cable gland (2)	PA150325

PART NAME	PART NUMBER
10 25Amp Circuit breaker	PA150350
11 Reset button boot	S1000-03.1
12 20Amp Toggle switch	V390027
13 M4 x 0.7 x 13L Countersunk cross screw (4)	PA2912
14 M4 X 0.7 X 6L Countersunk Screw (4)	PA141112
15 M4 x 0.7 x 10L Countersunk cross screw (4)	PA25055
16 M6 X 1.0 Nylon Nut	CX38088
17 M4 x 0.7 x 12L Cross screw (4)	PA141113
18 M6 Narrow washer (2)	PA00082

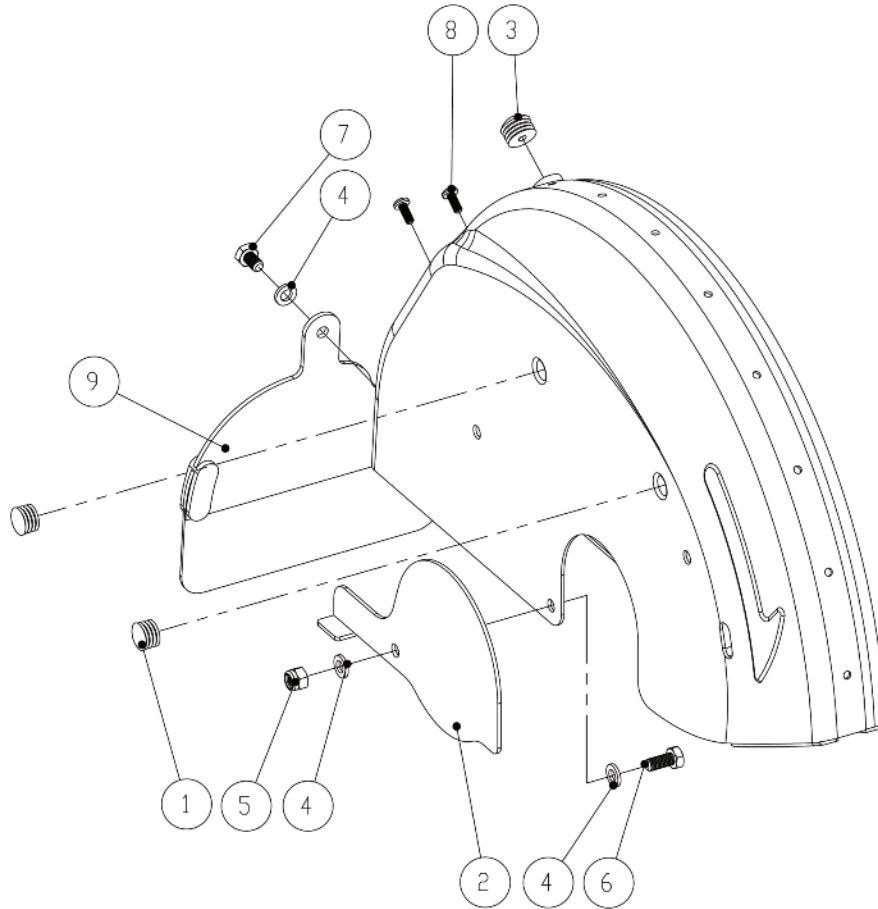
VX141MSPRO
TABLE ASSEMBLY



PART NAME	PART NUMBER
1 M6 x 1.0 x 10L Hex bolt	V390322
2 Ruler Guide	V390022
3 Lock bracket	V390026
4 U-Shaped Bearing Roller (complete) (2)	V390024
5 Metal Bearing Rollers (complete) (2)	V390025
6 M8 Narrow washer (8)	PA00016
7 M6 Narrow washer (3)	PA00082
8 M8 Spring lock washer (12)	PA00020


PART NAME	PART NUMBER
9 M6 Spring lock washer	V3911090
10 M8 x 1.25 x 16L Hex bolt (4)	PA001161
11 Spring	PA100101
12 M6 x 1.0 x 30L Socket head hex bolt	PA25095
13 M8 X 1.25 X 20L Hex bolt (4)	CX38052
14 M8 X 1.25 Nut (4)	PA00015
15 Cutting table "L" bracket	V390023.1

VX141MSPRO
BLADE GUARD ASSEMBLY



<i>PART NAME</i>	<i>PART NUMBER</i>
1 D12.7 Circular end cap	PA250731
2 Arbor Cover	V390003
3 D14.5 Circular end cap (2)	PA25073
4 M6 Narrow washer (3)	PA00082
5 M6 X 1.0 Nylon Nut	CX38088
6 M6 X 1.0 X 16L Hex bolt	PA00083
7 M6 x 1.0 x 10L Hex bolt	V390322
8 M4 x 0.7 x 10L Cross screw (2)	V390353
9 Splash guard	PSV10023

xii. TROUBLESHOOTING


WARNING! *For your safety and the safety of others, turn the power switch off and always remove the plug from power source before troubleshooting. Repairs performed by unauthorized personnel could cause serious hazard. We recommend that service to this tool be performed by a qualified service technician with original equipment replacement parts.*

Problem	Possible Cause	Solution
Machine does not run when switched on.	Power cord not properly fixed/plugged in.	Check that the machine is properly connected to the power supply.
	Power cord defective.	Have the power cord checked, replaced if necessary.
	Main power switch defective.	Have the main power switch checked and replaced if necessary by a qualified electrician.
	Loose electrical connection inside the electric system.	Have the whole electric system of the machine checked by a qualified electrician.
	Motor defective.	Have the motor checked and replaced if necessary by a qualified technician.
Motor stops (power cut out).	Too much pressure exerted while cutting.	Exert less pressure when cutting.
	Incorrect specification for saw blade.	Use a saw blade which corresponds to the material being cut.
	Saw has a defective electric system.	Have the electric system of the saw checked by a qualified technician.
Poor machine performance little power.	Power cord/extension cable too long or cable still wound up inside cable drum.	Use a power cord/extension cable of the rated length, use a cable drum with a cable fully extended.
	Power network is insufficient.	Observe the electric ratings of the machine and connect it only to a power network which complies with these ratings.
	Drive motor no longer runs at rated speed (r.p.m.).	Have the motor checked by a qualified electrician and have it replaced if necessary.

Problem	Possible Cause	Solution
Irregular run of the saw blade.	Poor tension in the blade material.	Return the saw blade to the manufacturer.
Excessive wear.	Wrong type of saw blade. Shaft of motor causes wobbling. Overheating.	Use harder saw blades. Have bearings of the motor of the motor replaced. Ensure optimum flow of cooling water.
Saw blade wobbles when running.	Saw blade is damaged or bent.	Have the saw blade aligned/flattened. Clean the receiving flange.
	Flange of the saw blade is damaged. Shaft of the motor is bent.	Solder the diamond segments of the old blade onto another saw blade or use a new blade. Replace the saw blade flange. Replace the electric motor.
Diamond segment becomes loose.	Overheating of the saw blade; cooling water not sufficient.	Have the diamond segment soldered on the blade again; ensure optimum flow of cooling water.
Cracks in or near the diamond segment.	Saw blade too hard. Fixed flange is worn out.	Use a softer blade. Have the fixed flange replaced.
	Motor shaft bearing.	Replace the bearing of the motor shaft.
Saw blade is blunt.	Saw blade type is unsuitable for the material being cut.	Use appropriate type of saw blade.
	Saw blade type is unsuitable for the machine performance. Saw blade too hard.	
	Diamond segments are blunt.	Sharpen the diamond saw blade.
Appearance of cut is not optimal.	Poor tension in the blade material.	Return the saw blade to the manufacturer.
	Too much load placed on the saw blade. Diamond segments are blunt.	Use a suitable saw blade. Sharpen the saw blade.
The center hole in the saw blade has become wider due to wear.	The saw blade has slipped on the motor shaft when running.	The arbor of the saw blade must be fitted with an appropriate adapter ring.
		Check the receiving flange and have it replaced if necessary.

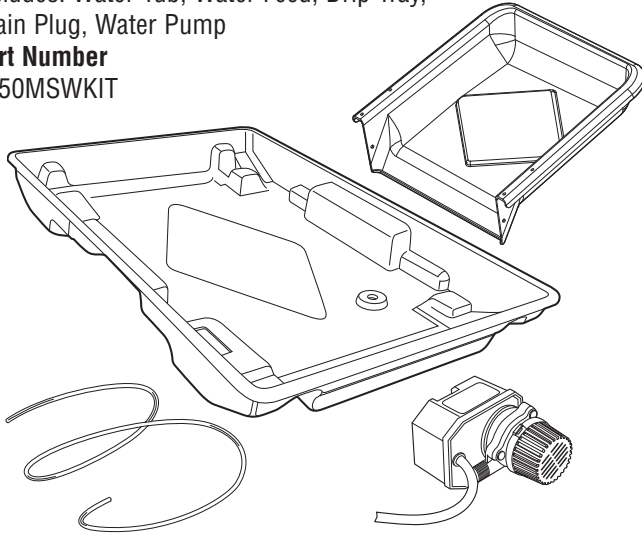
Problem	Possible Cause	Solution
Saw blades shows blooming colors.	Lateral friction when cutting.	The material feed is too high; proceed more slowly.
Grinding marks on the saw blade.	Material is not being fed parallel to the saw blade.	Ensure that the direction of feed is absolutely parallel to the saw blade.
	Poor tension in the blade material.	Adjust the roller table/have it adjusted.
	Too much load on the saw blade.	Have the saw blade tensioned. The material feed is too high, proceed more slowly.

xiii. ACCESSORIES & PARTS

Name

(Optional) Wet Cutting Kit
Includes: Water Tub, Water Feed, Drip Tray,
Drain Plug, Water Pump

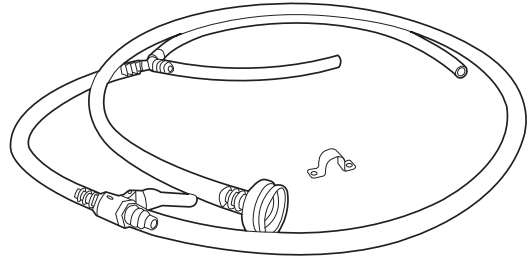
Part Number
V350MSWKIT



Name (Qty.)

(Optional)
Water Hose Kit (1)

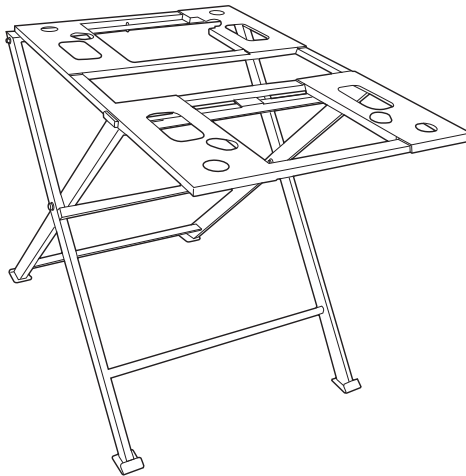
Part Number
V350MSGHKIT



Name (Qty.)

(Optional) Brick
Saw Stand (1)

Part Number
V350MS

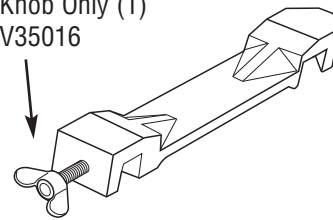


Name (Qty.)

Complete 45°/90°
Rip Guide with
Knob (1)




















Part Number
V35000

Knob Only (1)
V35016



xiv. THE RIGHT BLADES DOES THE RIGHT JOB

For the most effective cutting and blade life always use the recommended Pearl Abrasive Co. blade.

PEARL BLADE SERIES	APPLICATION				
	BRICK	BLOCK	PAVER	HARD BRICK	REFRACTORY BRICK
P1 EXV™ Concrete/Masonry					
P2 PRO-V™ Concrete/Masonry					
P4™ (CP) Concrete/Masonry					
P5™ (GSP) Concrete/Masonry					
P2 PRO-V™ (SDS) Hard Materials					
P5™ (NSP) Hard Materials					
P5™ (BB) Masonry					

xv. HOW TO ORDER PARTS

Please have the following information ready before calling:

- Serial Number of your Tile Saw
- Model Number of the Tile Saw
- When purchased and where
- Part Description

All parts listed may be ordered from your Local warehouses. If the part is not stocked locally, call our Corporate office and ask for our Customer Service Department. For Technical Support call **1-800-969-5561**. In Canada call **1-800-387-0008**. There is a \$25.00 minimum order.

Return Policy: Return goods for credit or exchange on the basis of the following terms: **(1)** They must be current products; **(2)** Items returned for replacement or refund should be in original cartons and must be accompanied by a packing slip with the following information: Returned Goods Authorization (RGA) number obtainable from Customer Service Department • List of items returned • Reason(s) for return(s) • Copy of original invoice(s); **(3)** Freight charges must be assumed by sender; **(4)** Returning goods are subject to a 15% handling charge to cover our cost of repacking and restocking. All Prices are subject to change without notice.

Disclaimer: Pearl Abrasive Co. reserves the right to make changes or improvements on its products without incurring an additional obligation including any obligation to make corresponding changes or improvements to products previously manufactured or sold. Pearl reserves the right to discontinue products at any time without notice.

All illustrations displayed in this manual are the property of Pearl Abrasive Co. and shall not be duplicated or reproduced without the express written consent of Pearl Abrasive Co.

PEARL LIMITED WARRANTY

Every PEARL ABRASIVE CO. tool is thoroughly inspected and tested before leaving the factory. It is warranted to be free of defects in materials and workmanship for a period of ONE YEAR from the date of original purchase. Pearl will repair or (at our opinion) replace a product, or part thereof, found by PEARL ABRASIVE CO. to be defective, provided the defective product is returned to PEARL ABRASIVE CO., freight pre-paid, with proof of purchase.

RGA NUMBER IS REQUIRED. Prior to the return of any product or part, a Return Goods Authorization number must be obtained from PEARL ABRASIVE CO. by fax (562) 928-3857 or calling (800) 969-5561. The owner's name, address, phone number, as well as the serial number of the product, proof of purchase, and a brief statement detailing the nature of the claimed defect, are required for authorization.

This Warranty does not apply where:

- repairs have been made or attempted by others
- repairs are required because of normal wear and tear
- the tool has been abused, misused or improperly maintained
- alterations have been made to the tool
- the product is used in a manner or with a blade not recommended by the manufacturer

In no event shall Pearl Abrasive Co. be liable for any indirect, incidental or consequential damages from the sale or use of the equipment. This disclaimer applies both during and after the term of warranty.

Pearl Abrasive Co. disclaims liability for any implied warranties, including implied warranties of "merchantability" and "fitness for a specific purpose", after the one year term of this warranty.

This warranty gives you specific legal rights, and you may also have other rights which vary from state to state. Some states do not allow the exclusion or limitation of incidental or consequential damages, so the above limitation or exclusion may not apply to you. Some states do not allow limitation on how long an implied warranty lasts, so the above limitation may not apply to you.

All parts replaced under warranty will be considered as part of the original product and any warranty on these parts will expire coincidentally with the original product warranty.

This warranty supersedes all previous PEARL ABRASIVE product warranties. **EXCLUSION:** Water pump and motor warranty is through the original equipment manufacturer.

PEARL®

CORPORATE OFFICE: SO. CALIFORNIA • USA

4900 ZAMBRANO ST., COMMERCE, CA 90040-0031

562-927-5561 • FAX 562-928-3857

Toll Free: 800-969-5561

www.pearlabrasive.com

GEORGIA • USA

3950 STEVE REYNOLDS BLVD.
NORCROSS, GEORGIA 30093

ONTARIO • CANADA

375-2 PIDO ROAD
PETERBOROUGH, ONTARIO K9J-6X7